
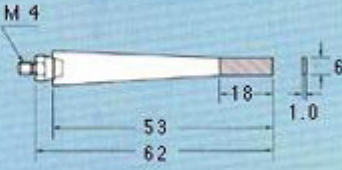

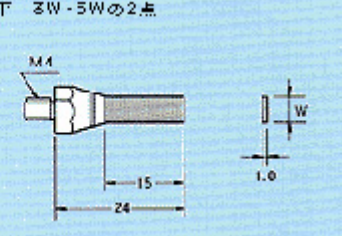

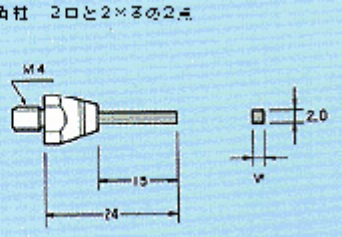

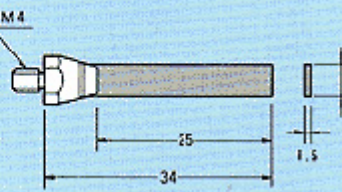

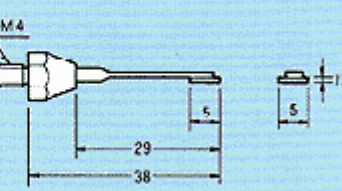
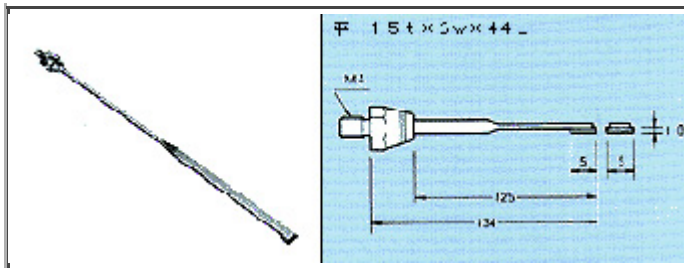


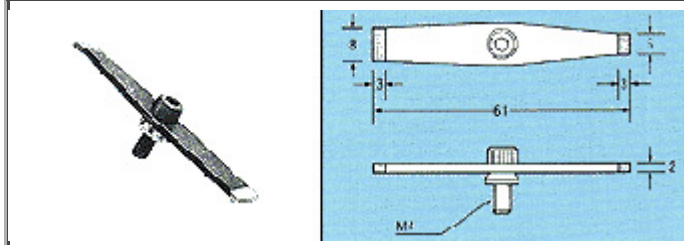
\* Please refer [below](#) to match tool attachment screws and handpieces.

\* All Ultraform, Sonofile diamond tools are colour coded to identify the mesh/grit/micron(μ) according to the chart [below](#).

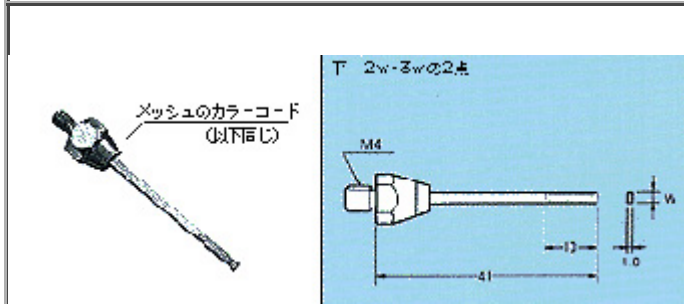
		<table border="1"> <thead> <tr> <th>Tool no.</th> <th>Mesh</th> </tr> </thead> <tbody> <tr> <td>SD-5861</td> <td><span style="color:red">●</span> #200</td> </tr> <tr> <td>SD-5761</td> <td><span style="color:gray">●</span> #320</td> </tr> <tr> <td>SD-5661</td> <td><span style="color:blue">●</span> #500</td> </tr> <tr> <td>SD-5361</td> <td><span style="color:green">●</span> #1000</td> </tr> </tbody> </table>	Tool no.	Mesh	SD-5861	<span style="color:red">●</span> #200	SD-5761	<span style="color:gray">●</span> #320	SD-5661	<span style="color:blue">●</span> #500	SD-5361	<span style="color:green">●</span> #1000																	
Tool no.	Mesh																												
SD-5861	<span style="color:red">●</span> #200																												
SD-5761	<span style="color:gray">●</span> #320																												
SD-5661	<span style="color:blue">●</span> #500																												
SD-5361	<span style="color:green">●</span> #1000																												
	<p>▽ 3W-5Wの2点</p> 	<table border="1"> <thead> <tr> <th>Tool no.</th> <th>Mesh</th> <th>W</th> </tr> </thead> <tbody> <tr> <td>SD-4831</td> <td><span style="color:red">●</span> #200</td> <td>3.0</td> </tr> <tr> <td>SD-4731</td> <td><span style="color:gray">●</span> #320</td> <td>3.0</td> </tr> <tr> <td>SD-4631</td> <td><span style="color:blue">●</span> #500</td> <td>3.0</td> </tr> <tr> <td>SD-4331</td> <td><span style="color:green">●</span> #1000</td> <td>3.0</td> </tr> <tr> <td>SD-4851</td> <td><span style="color:red">●</span> #200</td> <td>5.0</td> </tr> <tr> <td>SD-4751</td> <td><span style="color:gray">●</span> #320</td> <td>5.0</td> </tr> <tr> <td>SD-4651</td> <td><span style="color:blue">●</span> #500</td> <td>5.0</td> </tr> <tr> <td>SD-4351</td> <td><span style="color:green">●</span> #1000</td> <td>5.0</td> </tr> </tbody> </table>	Tool no.	Mesh	W	SD-4831	<span style="color:red">●</span> #200	3.0	SD-4731	<span style="color:gray">●</span> #320	3.0	SD-4631	<span style="color:blue">●</span> #500	3.0	SD-4331	<span style="color:green">●</span> #1000	3.0	SD-4851	<span style="color:red">●</span> #200	5.0	SD-4751	<span style="color:gray">●</span> #320	5.0	SD-4651	<span style="color:blue">●</span> #500	5.0	SD-4351	<span style="color:green">●</span> #1000	5.0
Tool no.	Mesh	W																											
SD-4831	<span style="color:red">●</span> #200	3.0																											
SD-4731	<span style="color:gray">●</span> #320	3.0																											
SD-4631	<span style="color:blue">●</span> #500	3.0																											
SD-4331	<span style="color:green">●</span> #1000	3.0																											
SD-4851	<span style="color:red">●</span> #200	5.0																											
SD-4751	<span style="color:gray">●</span> #320	5.0																											
SD-4651	<span style="color:blue">●</span> #500	5.0																											
SD-4351	<span style="color:green">●</span> #1000	5.0																											
	<p>角柱 2口と2×3の2点</p> 	<table border="1"> <thead> <tr> <th>Tool no.</th> <th>Mesh</th> <th>W</th> </tr> </thead> <tbody> <tr> <td>SD-2802</td> <td><span style="color:red">●</span> #200</td> <td>2.0</td> </tr> <tr> <td>SD-2702</td> <td><span style="color:gray">●</span> #320</td> <td>2.0</td> </tr> <tr> <td>SD-2602</td> <td><span style="color:blue">●</span> #500</td> <td>2.0</td> </tr> <tr> <td>SD-2302</td> <td><span style="color:green">●</span> #1000</td> <td>2.0</td> </tr> <tr> <td>SD-2832</td> <td><span style="color:red">●</span> #200</td> <td>3.0</td> </tr> <tr> <td>SD-2732</td> <td><span style="color:gray">●</span> #320</td> <td>3.0</td> </tr> <tr> <td>SD-2632</td> <td><span style="color:blue">●</span> #500</td> <td>3.0</td> </tr> <tr> <td>SD-2332</td> <td><span style="color:green">●</span> #1000</td> <td>3.0</td> </tr> </tbody> </table>	Tool no.	Mesh	W	SD-2802	<span style="color:red">●</span> #200	2.0	SD-2702	<span style="color:gray">●</span> #320	2.0	SD-2602	<span style="color:blue">●</span> #500	2.0	SD-2302	<span style="color:green">●</span> #1000	2.0	SD-2832	<span style="color:red">●</span> #200	3.0	SD-2732	<span style="color:gray">●</span> #320	3.0	SD-2632	<span style="color:blue">●</span> #500	3.0	SD-2332	<span style="color:green">●</span> #1000	3.0
Tool no.	Mesh	W																											
SD-2802	<span style="color:red">●</span> #200	2.0																											
SD-2702	<span style="color:gray">●</span> #320	2.0																											
SD-2602	<span style="color:blue">●</span> #500	2.0																											
SD-2302	<span style="color:green">●</span> #1000	2.0																											
SD-2832	<span style="color:red">●</span> #200	3.0																											
SD-2732	<span style="color:gray">●</span> #320	3.0																											
SD-2632	<span style="color:blue">●</span> #500	3.0																											
SD-2332	<span style="color:green">●</span> #1000	3.0																											
	<p>平 15t×5w×44L</p> 	<table border="1"> <thead> <tr> <th>Tool no.</th> <th>Mesh</th> </tr> </thead> <tbody> <tr> <td>SD-4862</td> <td><span style="color:red">●</span> #200</td> </tr> <tr> <td>SD-4762</td> <td><span style="color:gray">●</span> #320</td> </tr> <tr> <td>SD-4662</td> <td><span style="color:blue">●</span> #500</td> </tr> <tr> <td>SD-4362</td> <td><span style="color:green">●</span> #1000</td> </tr> </tbody> </table>	Tool no.	Mesh	SD-4862	<span style="color:red">●</span> #200	SD-4762	<span style="color:gray">●</span> #320	SD-4662	<span style="color:blue">●</span> #500	SD-4362	<span style="color:green">●</span> #1000																	
Tool no.	Mesh																												
SD-4862	<span style="color:red">●</span> #200																												
SD-4762	<span style="color:gray">●</span> #320																												
SD-4662	<span style="color:blue">●</span> #500																												
SD-4362	<span style="color:green">●</span> #1000																												
	<p>平 15□×1t (2選)</p> 	<table border="1"> <thead> <tr> <th>Tool no.</th> <th>Mesh</th> </tr> </thead> <tbody> <tr> <td>SD-4861</td> <td><span style="color:red">●</span> #200</td> </tr> <tr> <td>SD-4761</td> <td><span style="color:gray">●</span> #320</td> </tr> <tr> <td>SD-4661</td> <td><span style="color:blue">●</span> #500</td> </tr> <tr> <td>SD-4361</td> <td><span style="color:green">●</span> #1000</td> </tr> </tbody> </table>	Tool no.	Mesh	SD-4861	<span style="color:red">●</span> #200	SD-4761	<span style="color:gray">●</span> #320	SD-4661	<span style="color:blue">●</span> #500	SD-4361	<span style="color:green">●</span> #1000																	
Tool no.	Mesh																												
SD-4861	<span style="color:red">●</span> #200																												
SD-4761	<span style="color:gray">●</span> #320																												
SD-4661	<span style="color:blue">●</span> #500																												
SD-4361	<span style="color:green">●</span> #1000																												



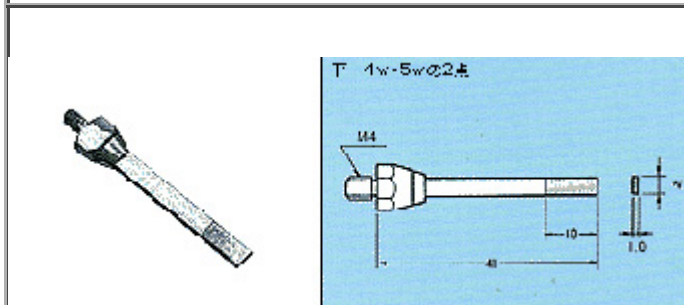
Tool no.	Mesh
SD-8851	● #200
SD-8751	● #320
SD-8651	● #500
SD-8351	● #1000



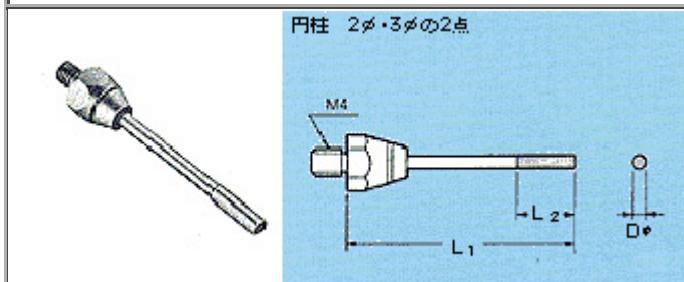
Tool no.	Mesh
SD-7885	● #200
SD-7785	● #320
SD-7685	● #500
SD-7385	● #1000



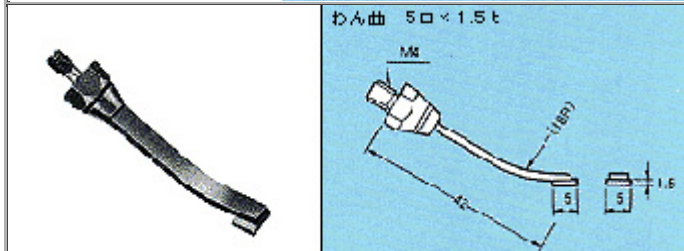
Tool no.	Mesh	W
SD-5821	● #200	2.0
SD-5721	● #320	2.0
SD-5621	● #500	2.0
SD-5321	● #1000	2.0
SD-5831	● #200	3.0
SD-5731	● #320	3.0
SD-5631	● #500	3.0
SD-5331	● #1000	3.0




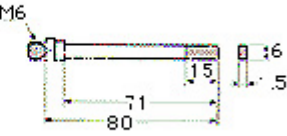

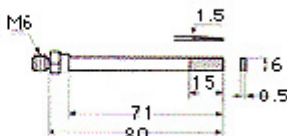

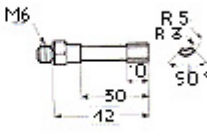
Tool no.	Mesh	W
SD-5841	● #200	4.0
SD-5741	● #320	4.0
SD-5641	● #500	4.0
SD-5341	● #1000	4.0
SD-5851	● #200	5.0
SD-5751	● #320	5.0
SD-5651	● #500	5.0
SD-5351	● #1000	5.0



Tool no.	Mesh	L1	L2	Dφ
SD-1802	● #200	37	7.0	4.0
SD-1702	● #320	37	7.0	4.0
SD-1602	● #500	37	7.0	4.0
SD-1302	● #1000	37	7.0	4.0
SD-1803	● #200	39	10	5.0
SD-1703	● #320	39	10	5.0



Tool no.	Mesh
SD-7855	● #200
SD-7755	● #320
SD-7655	● #500
SD-7355	● #1000

	<p>平・ストレート 1.5t×6W</p>  <p>シャンクはアパ -1.5-3.0</p>	<table border="1"> <thead> <tr> <th>Tool no.</th> <th>Mesh</th> </tr> </thead> <tbody> <tr> <td>MD-8862</td> <td>● #200</td> </tr> <tr> <td>MD-8762</td> <td>● #320</td> </tr> <tr> <td>MD-8662</td> <td>● #500</td> </tr> <tr> <td>MD-8362</td> <td>● #1000</td> </tr> </tbody> </table>	Tool no.	Mesh	MD-8862	● #200	MD-8762	● #320	MD-8662	● #500	MD-8362	● #1000
Tool no.	Mesh											
MD-8862	● #200											
MD-8762	● #320											
MD-8662	● #500											
MD-8362	● #1000											
	<p>平・テーパー付 1.5t×6W</p>  <p>シャンクはテーパー -1.5-3.0</p>	<table border="1"> <thead> <tr> <th>Tool no.</th> <th>Mesh</th> </tr> </thead> <tbody> <tr> <td>MD-9862</td> <td>● #200</td> </tr> <tr> <td>MD-9762</td> <td>● #320</td> </tr> <tr> <td>MD-9662</td> <td>● #500</td> </tr> <tr> <td>MD-9362</td> <td>● #1000</td> </tr> </tbody> </table>	Tool no.	Mesh	MD-9862	● #200	MD-9762	● #320	MD-9662	● #500	MD-9362	● #1000
Tool no.	Mesh											
MD-9862	● #200											
MD-9762	● #320											
MD-9662	● #500											
MD-9362	● #1000											
	<p>円錐・3R×6R</p>  <p>シャンク=1.5t×6W 砥石t=2.0</p>	<table border="1"> <thead> <tr> <th>Tool no.</th> <th>Mesh</th> </tr> </thead> <tbody> <tr> <td>MD-1825</td> <td>● #200</td> </tr> <tr> <td>MD-1725</td> <td>● #320</td> </tr> <tr> <td>MD-1625</td> <td>● #500</td> </tr> <tr> <td>MD-1325</td> <td>● #1000</td> </tr> </tbody> </table>	Tool no.	Mesh	MD-1825	● #200	MD-1725	● #320	MD-1625	● #500	MD-1325	● #1000
Tool no.	Mesh											
MD-1825	● #200											
MD-1725	● #320											
MD-1625	● #500											
MD-1325	● #1000											

Tool Usage				
	M4	M6	M8	○ : apply to handpiece directly. ◎ : apply with an <b>adapter</b> . × : not applicable
SF-7000	○	○	◎	
SF-9000	◎	×	×	
SF-9700	○	◎	×	

Colour coding		
Color	Mesh/Grit	Micron(μ)
「 Red	#200	68
「 Black	#320	40
「 Blue	#500	35
「 White	#600	28
「 Green	#1000	15