
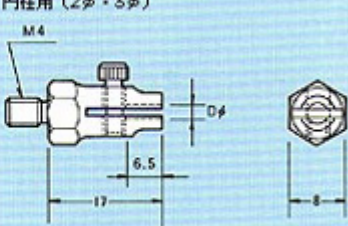

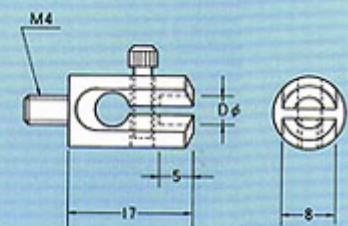

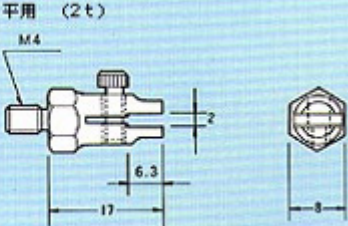

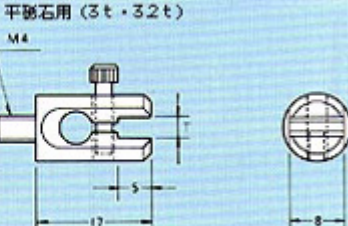

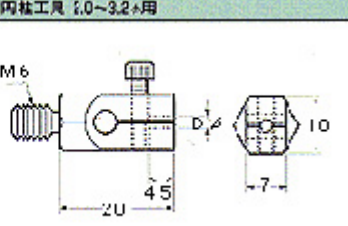

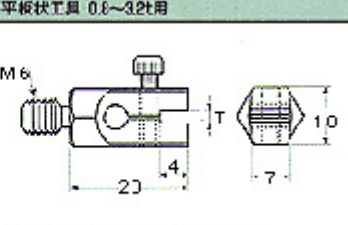

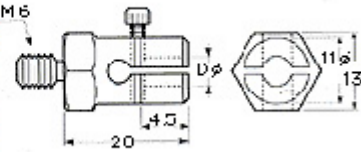

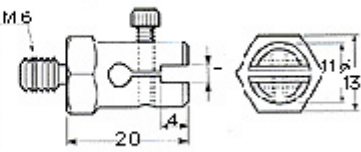

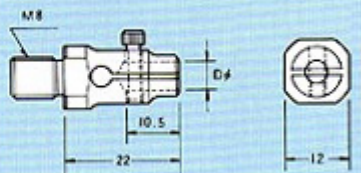

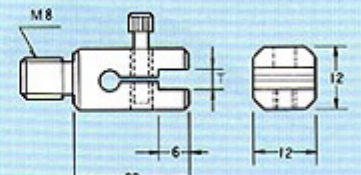


■ Tool Clamps (parts)

(Unit: mm)

* Please refer [below](#) to match tool attachment screws and handpieces.

	<p>円柱用 (2φ・3φ)</p> 	<table border="1"> <thead> <tr> <th>Tool no.</th> <th>D</th> </tr> </thead> <tbody> <tr> <td>SX-1002</td> <td>2</td> </tr> <tr> <td>SX-1003</td> <td>3</td> </tr> </tbody> </table> <p>For wood or brass lapping tools (2, 3 diam.)</p>	Tool no.	D	SX-1002	2	SX-1003	3						
Tool no.	D													
SX-1002	2													
SX-1003	3													
		<table border="1"> <thead> <tr> <th>Tool no.</th> <th>D</th> </tr> </thead> <tbody> <tr> <td>SX-1004</td> <td>4</td> </tr> <tr> <td>SX-1005</td> <td>5</td> </tr> <tr> <td>SX-1006</td> <td>6</td> </tr> </tbody> </table> <p>For wood lapping tools 4, 5, 6 diam.</p>	Tool no.	D	SX-1004	4	SX-1005	5	SX-1006	6				
Tool no.	D													
SX-1004	4													
SX-1005	5													
SX-1006	6													
	<p>平用 (2t)</p> 	<table border="1"> <thead> <tr> <th>Tool no.</th> <th>-</th> </tr> </thead> <tbody> <tr> <td>SX-4012</td> <td>-</td> </tr> </tbody> </table> <p>For brass lapping tool FS-4152</p>	Tool no.	-	SX-4012	-								
Tool no.	-													
SX-4012	-													
	<p>平砥石用 (3t・3.2t)</p> 	<table border="1"> <thead> <tr> <th>Tool no.</th> <th>T</th> </tr> </thead> <tbody> <tr> <td>SX-4008</td> <td>0.8</td> </tr> <tr> <td>SX-4001</td> <td>1.1</td> </tr> <tr> <td>SX-4021</td> <td>2.1</td> </tr> <tr> <td>SX-4031</td> <td>3.1</td> </tr> <tr> <td>SX-4033</td> <td>3.2</td> </tr> </tbody> </table> <p>SX-4033 can also be used for wood lapping tool SO-4163. Use for abrasive stones of length 30 or less.</p>	Tool no.	T	SX-4008	0.8	SX-4001	1.1	SX-4021	2.1	SX-4031	3.1	SX-4033	3.2
Tool no.	T													
SX-4008	0.8													
SX-4001	1.1													
SX-4021	2.1													
SX-4031	3.1													
SX-4033	3.2													
	<p>円柱工具 2.0~3.2φ用</p> 	<table border="1"> <thead> <tr> <th>Tool no.</th> <th>Dφ</th> </tr> </thead> <tbody> <tr> <td>MX-1020</td> <td>2.0</td> </tr> <tr> <td>MX-1030</td> <td>3.0</td> </tr> <tr> <td>MX-1033</td> <td>3.3</td> </tr> </tbody> </table>	Tool no.	Dφ	MX-1020	2.0	MX-1030	3.0	MX-1033	3.3				
Tool no.	Dφ													
MX-1020	2.0													
MX-1030	3.0													
MX-1033	3.3													
	<p>平板状工具 0.8~3.2t用</p> 	<table border="1"> <thead> <tr> <th>Tool no.</th> <th>T</th> </tr> </thead> <tbody> <tr> <td>MX-4008</td> <td>0.8</td> </tr> <tr> <td>MX-4010</td> <td>1.0</td> </tr> <tr> <td>MX-4020</td> <td>2.0</td> </tr> <tr> <td>MX-4030</td> <td>3.0</td> </tr> <tr> <td>MX-4033</td> <td>3.3</td> </tr> </tbody> </table>	Tool no.	T	MX-4008	0.8	MX-4010	1.0	MX-4020	2.0	MX-4030	3.0	MX-4033	3.3
Tool no.	T													
MX-4008	0.8													
MX-4010	1.0													
MX-4020	2.0													
MX-4030	3.0													
MX-4033	3.3													

	<p>円柱工具 4.0~6.0mm用</p> 	<table border="1"> <thead> <tr> <th>Tool no.</th> <th>Dφ</th> </tr> </thead> <tbody> <tr> <td>MX-1140</td> <td>4.0</td> </tr> <tr> <td>MX-1150</td> <td>5.0</td> </tr> <tr> <td>MX-1160</td> <td>6.0</td> </tr> </tbody> </table>	Tool no.	Dφ	MX-1140	4.0	MX-1150	5.0	MX-1160	6.0						
Tool no.	Dφ															
MX-1140	4.0															
MX-1150	5.0															
MX-1160	6.0															
	<p>平板状工具 1.0~5.0mm用</p>  <p>工具幅6~1.5mmの工具にお使い下さい</p>	<table border="1"> <thead> <tr> <th>Tool no.</th> <th>T</th> </tr> </thead> <tbody> <tr> <td>MX-4110</td> <td>1.0</td> </tr> <tr> <td>MX-4120</td> <td>2.0</td> </tr> <tr> <td>MX-4130</td> <td>3.0</td> </tr> <tr> <td>MX-4133</td> <td>3.3</td> </tr> <tr> <td>MX-4140</td> <td>4.0</td> </tr> <tr> <td>MX-4150</td> <td>5.0</td> </tr> </tbody> </table>	Tool no.	T	MX-4110	1.0	MX-4120	2.0	MX-4130	3.0	MX-4133	3.3	MX-4140	4.0	MX-4150	5.0
Tool no.	T															
MX-4110	1.0															
MX-4120	2.0															
MX-4130	3.0															
MX-4133	3.3															
MX-4140	4.0															
MX-4150	5.0															
	<p>円柱 (4.5φ・5.5φ)</p> 	<table border="1"> <thead> <tr> <th>Tool no.</th> <th>D</th> </tr> </thead> <tbody> <tr> <td>LX-1004</td> <td>4.1</td> </tr> <tr> <td>LX-1055</td> <td>5.5</td> </tr> </tbody> </table>	Tool no.	D	LX-1004	4.1	LX-1055	5.5								
Tool no.	D															
LX-1004	4.1															
LX-1055	5.5															
	<p>L型・平用 (1~5t・5点)</p> 	<table border="1"> <thead> <tr> <th>Tool no.</th> <th>T</th> </tr> </thead> <tbody> <tr> <td>LX-4011</td> <td>1.1</td> </tr> <tr> <td>LX-4012</td> <td>2.1</td> </tr> <tr> <td>LX-4013</td> <td>3.1</td> </tr> <tr> <td>LX-4031</td> <td>3.3</td> </tr> <tr> <td>LX-4014</td> <td>4.1</td> </tr> <tr> <td>LX-4015</td> <td>5.1</td> </tr> </tbody> </table>	Tool no.	T	LX-4011	1.1	LX-4012	2.1	LX-4013	3.1	LX-4031	3.3	LX-4014	4.1	LX-4015	5.1
Tool no.	T															
LX-4011	1.1															
LX-4012	2.1															
LX-4013	3.1															
LX-4031	3.3															
LX-4014	4.1															
LX-4015	5.1															

Use with grinders of length 30 or less, with output at medium or below.

Tool Usage			
	M4	M6	M8
SF-7000	○	○	◎
SF-9000	◎	×	×
SF-9700	○	◎	×

○: apply to handpiece directly.
◎: apply with an **adapter**.
×: not applicable